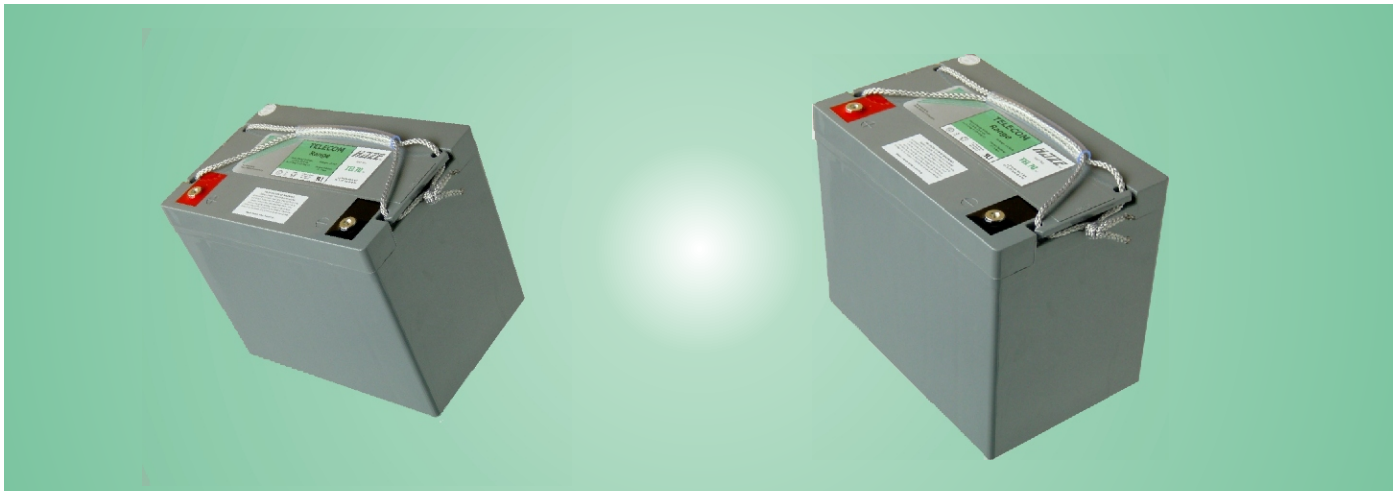


# TELECOM RANGE



**Model No. TEL 70** (12 Volts, 65.3 Ah at 8 hour Rate to 1.75 vpc)  
Valve Regulated Lead Acid Battery for communications  
standby power applications

#### Innovative Features

- Completely maintenance free, sealed construction eliminates the need for watering
- Fully tank formed plates
- Analytical Grade electrolyte
- Spill proof / leak proof
- Valve regulated Max internal pressure 2.5 psi
- Multi-position usage
- ABS Case & Cover Flame retardent meets UL 94 VO requirements
- Low self discharge
- FAA and IATA approved as non-hazardous
- Built to comply with IEC 896-2, DIN 43534, BS 6290 Pt4, Eurobat, Telcordia SR 4228
- UL Approval, ISO9001

#### Ampere Hour Capacity at 77°F (25°C) to 1.75 vpc

Discharge Time in Hrs	1	2	3	4	5	6	7	8	10
Ampere Hour Capacity	54.8	56.9	58	59.4	61.2	62.9	64.5	65.3	66.6

Sealed Lead Acid 12 Volt Bloc AGM Range

### Specifications

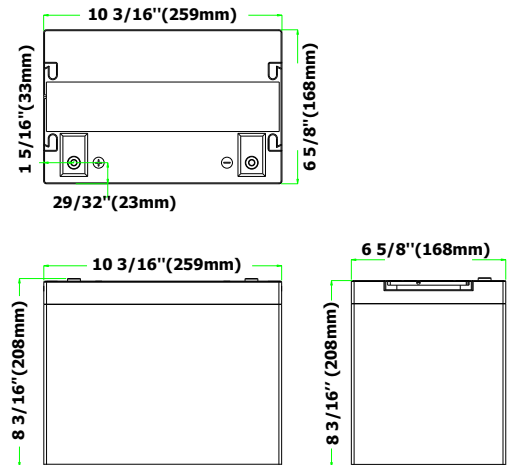
Nominal Voltage		12V	
Nominal Capacity		78.4 Ah	
Dimensions	Total Height (Inc terminals)	8.19 inches	208 mm
	Length	10.2 inches	259 mm
	Width	6.61 inches	168 mm
	Weight	52.38 lbs	23.7 Kg



Haze Battery Company Ltd

### Characteristics

Capacity 77°F (25°C) to 1.7 vpc	20 hour rate	78.4 Ah
	10 hour rate	68.6 Ah
	5 hour rate	62 Ah
	1 hour rate	55.6 Ah
	15 min rate	39 Ah
	Internal Resistance	5 mOhms
Capacity correction for temperature Variations (C20)	104°F (40°C)	102%
	68°F (20°C)	100%
	32°F (0°C)	85%
	5°F (-15°C)	65%
Self Discharge 77°F (25°C)	Capacity after 1 month storage	98%
	Capacity after 3 months storage	94%
	Capacity after 6 months storage	86%
Short Circuit Current 77°F (25°C)	2400	
Terminal	Standard	14mm Insert M6 thread
Charging (Constant Voltage)	Float	2.27 - 2.30 vpc (59 - 77°F)



End V per Cell	Ampere Hour at 77°F (25°C)									
	1 hr	2 hr	3 hr	4 hr	5 hr	8 hr	10 hr	12 hr	20 hr	
1.85	50.9	55.8	56.4	58.0	59.8	63.0	64.0	66.0	73.1	
1.80	53.2	56.6	57.4	59.0	60.7	64.5	65.9	68.3	75.7	
1.75	54.8	56.9	58.0	59.4	61.2	65.3	66.6	68.6	76.1	
1.70	55.6	58.0	59.0	60.3	62.0	66.5	68.6	70.7	78.4	

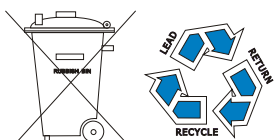
End V per Cell	Constant Amps Discharge - Amps at 77°F (25°C)											
	1 hr	2 hr	3 hr	4 hr	5 hr	8 hr	10 hr	12 hr	20 hr	24 hr	72 hr	100 hr
1.85	50.90	27.90	18.80	14.50	11.96	7.88	6.40	5.50	3.66	3.07	1.01	0.72
1.80	53.20	28.30	19.13	14.75	12.14	8.06	6.59	5.69	3.79	3.14	1.05	0.76
1.75	54.80	28.45	19.33	14.85	12.24	8.16	6.66	5.72	3.81	3.16	1.07	0.77

### Specifications

Design Life	12 Years
Operating Temperature	-4 °F to 122 °F
Grid alloy	Calcium / Tin lead alloy
Plates	Flat Pasted
Separator	Absorbant Glass Mat
Active material	Very high purity lead
Charge Voltage	Float 2.25 - 2.30 VPC @77 °F Cycling 2.35 @77 °F Max. 2.4 VPC Max ripple 0.05C (A)
Electrolyte	Sulphuric acid Analytical grade purity
Venting Valve	EPDM Rubber 1.5 to 2 psi (10.5 - 14 KPa) release pressure. Resealing at 1 psi (7 KPa)
Torque setting	The recommended torque value for all types is 44-62 inch-pounds

### Terminal Details

Insert are made from brass with copper, nickel and silver plating giving excellent mechanical, electrical and corrosion resistant properties.



Haze Battery Company keenly encourages environmental awareness; PLEASE follow guidelines for the recycling /disposal of lead.



Pb CORE Telecom Systems

888-375-8826

www.coretelecom.net  
Ver. 20050915